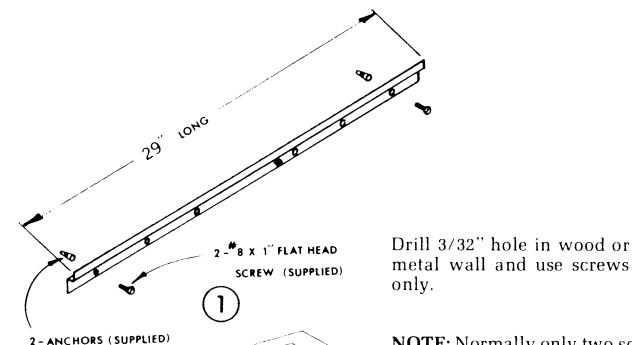


SURFACE MOUNTED GEOCHRON

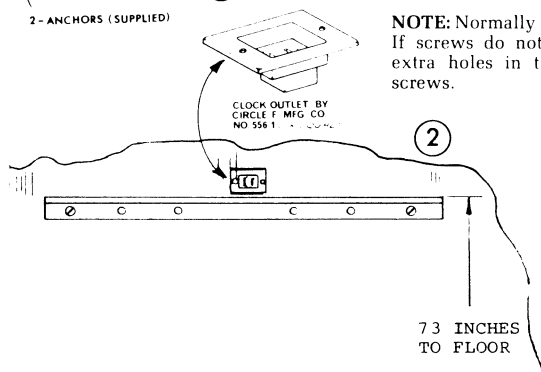
Geochron can be mounted on any flat surface, like hanging a picture. However, a special mounting bracket is required, (Fig. 1). A conventional electric outlet is also required. If an electric outlet is to be installed especially for Geochron, place it directly above, the mounting bracket as shown in Fig. 2.

Do not install an outlet behind the back of Geochron unless it is recessed completely into the wall. Any projection above the wall surface behind the Geochron will push the back of Geochron inward. This could scratch the map.

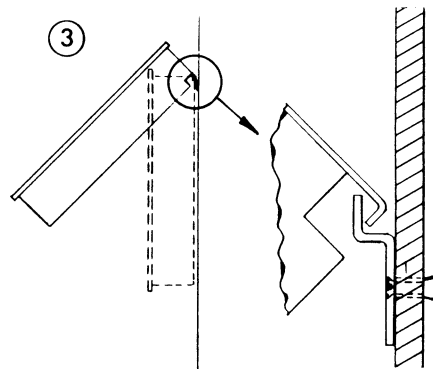
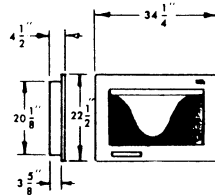
Screw the bracket into position, about 73 inches from the floor (Fig. 2). Keep the bracket level. Hang the Geochron as in Fig. 3. Tilt it 45 degrees as shown and engage the bracket with the hooks, then swing it down into vertical position. This arrangement prevents the Geochron from being pushed upward and off the bracket. The unit can be moved horizontally a short distance after it is hung to give additional adjustment to its position.



Drill 3/32" hole in wood or metal wall and use screws only.



NOTE: Normally only two screws are needed. If screws do not tighten securely, use the extra holes in the bracket for additional screws.



ENLARGEMENT OF HOOKS CATCHING